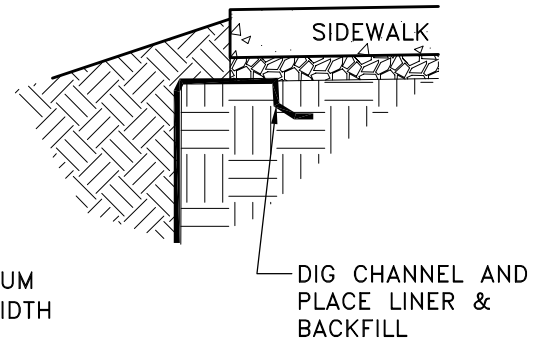
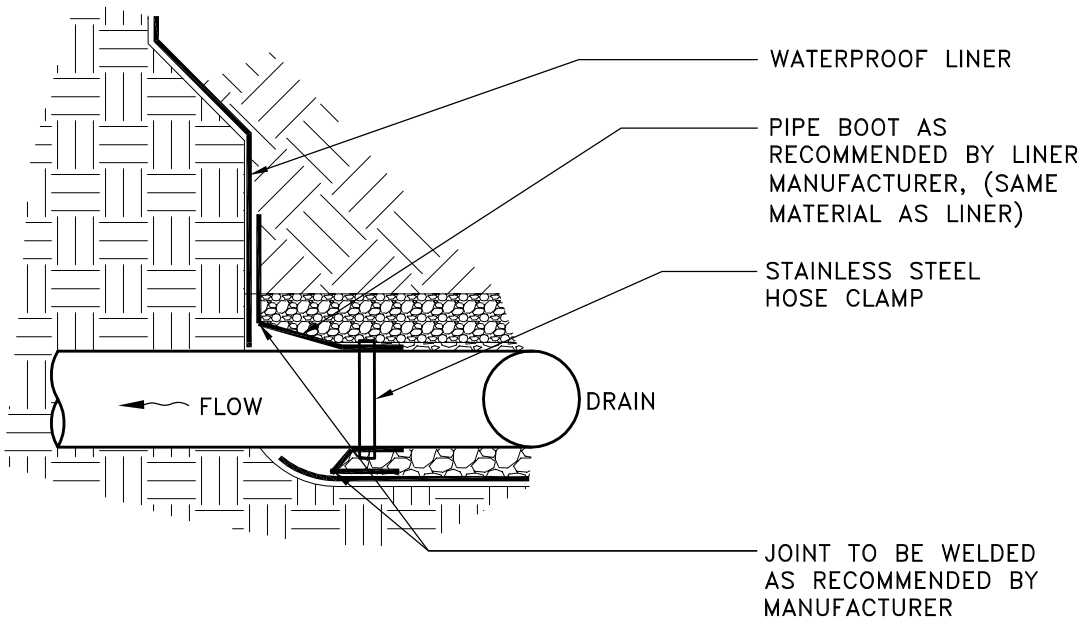


LINER ATTACHMENT TO WALL



LINER EMBEDMENT ON SLOPED FACILITY



PIPE BOOT ATTACHMENT TO LINER

NOTES

1. LINER MATERIALS TO BE PER 603.03.00. LINER TO EXTEND FROM TOP OF TOPSOIL TO THE BOTTOM OF EXCAVATION.

CITY OF ALBANY, OREGON PUBLIC WORKS DEPARTMENT		
LINER ATTACHMENT DETAILS		
NO SCALE	JANUARY 2015	NO. 610