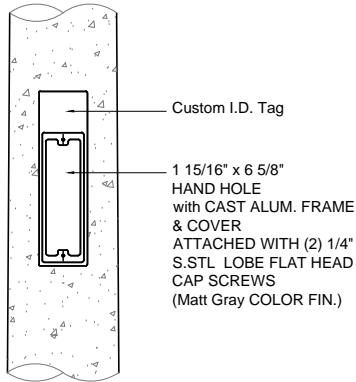
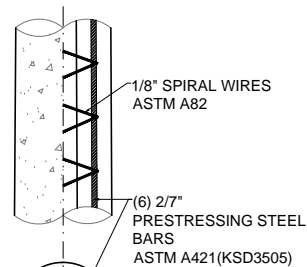


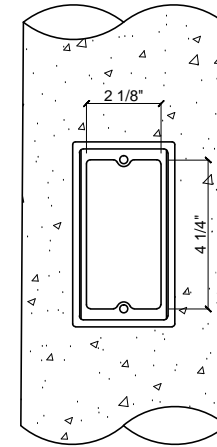
TOP END
'A' DETAIL



HAND HOLE
'B' DETAIL



POLE SECTION



WIRE HOLE
'C' DETAIL

SRE-10

PRODUCT NUMBER	POLE HEIGHT	BASE O.D.	OVERALL LENGTH "OL"	EMBEDDED DEPTH	MAXIMUM EPA/MPH(SQ FT)*					
					80	90	100	110	120	130
SRE-10	10'	6 3/16"	14'	4'	9.3	8.3	7.3	7.5	8.8	7.8

NOTE :

1. **ASTM C-150 TYPE III GREY CEMENT.**
2. **f'c @ 28 DAYS=7000 PSI, USING SPUN CYLINDER TEST.**
3. **f'c @ 28 DAYS=5000 PSI, USING ASTM C-31 CYLINDER TEST.**
4. **POLES MANUFACTURED TO ASTM C-1089 SPECIFICATIONS.**
5. **ALL EXPOSED METAL TO BE PAINTED APP. COLOR FIN.**
6. **FIXTURES BY OTHERS.**

COLOR : White Granite

APPROVED BY:

DATE:



DesignPole Concrete Pole Prod Division
3200 Wilshire Blvd., N. Tower Suite 1509, Los Angeles, CA 90010
TEL. (213)487-3036 www.design-pole.com

Meadow Ridge Park

THIS DOCUMENT CONTAINS INFORMATION WHICH IS PROPRIETARY TO DESIGNPOLE. IT SHALL NOT BE REPRODUCED, USED OR DISCLOSED TO ANYONE WITHOUT THE PERMISSION OF DESIGNPOLE.

DRAWN: JW. JEON	07/29/21	SCALE	DWG. NO.
CHK'D: JW. JEON	07/29/21	N. T. S	DP210010400.002