

Item#: **55117**
LED 2X2 SPEC-SELECT™
CENTER BASKET TROFFER
 2X2 LUMINARIES FOR AMBIENT LIGHTING OF
 INTERIOR COMMERCIAL SPACES

FEATURES

Spec-Select™ Center Basket Troffers are like 9 fixtures in 1, featuring adjustable wattage and color temperature for the perfect balance of light in any application.

- Adjustable Wattage (3 settings)
- Adjustable Color (3 settings)
- Integrated Sensor Option (ISO). Sensor sold separately.
- Designed for T-grid ceilings.

APPLICATION

Offices, hospitals, retail stores, schools lobbies and commercial buildings and work areas.

ELECTRICAL

Wattage	25W / 30W / 35W
Voltage	120-277V
Current	35W @ 120V = 0.29A
Power Factor	0.9
Total Harmonic Distortion (THD)	10

LIGHTING PERFORMANCE

Lumens	3125 / 3750 / 4375
Lumens Per Watt (LPW)	125
Color Temperature (CCT)	3500K / 4100K / 5000K
Color Rendering (CRI)	84
R9 (Red Value)	16
Beam Angle	100°
Light Distribution	Type VS
BUG Rating (Backlight, Uplight, and Glare)	--
Dimmable Lighting Control	From optional 12VDC sensor, or customer 0-10V controls.

ENVIRONMENT

Operating Temperature	-4 ~ 122°F
Suitable Location	DAMP
Ingress Protection Rating	IP40

LIFESPAN

Average Life (Hours)	50,000
Warranty (Years)	5

COMPONENTS

LED Light Source	Seoul 3528
Driver	SIF30-I0750-SS
Sensor Socket	12VDC AUX.

CONSTRUCTION

Housing	Aluminum
Lens	Acrylic (PMMA)
Base / Power Supply	Hard Wired
Finish	White

QUALIFICATIONS



Visit www.designlights.org/search to confirm qualification. • Published lumens on LED products are approximate and may vary slightly. • Specifications are subject to change without notice.

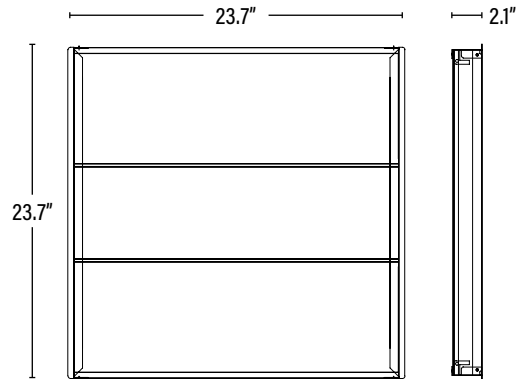
Item#: **55117**
LED 2X2 SPEC-SELECT™ CENTER BASKET TROFFER



ITEM INFORMATION

DIMENSIONS (Inches)

Length	23.7"
Width	23.7"
Height	2.1"
Net Weight (Lbs)	7



SUPPORTING DOCUMENTS (Grey = not available at this time.)

Product Sheet	VIEW
Install Instructions	VIEW
IES Download from Web Item	VIEW
LM79	VIEW
LM80	VIEW

PACKAGING

		UPC	DIMENSIONS (LxWxH)	GROSS WEIGHT (Lbs)
Master Carton	2	10811768029267	24.4" x 24.4" x 4.9"	--
Item	1	811768029260	N/A	N/A
Country of Origin	China			
HS Tariff	9405.10.6020			

ORDERING

ITEM#	DESCRIPTION	CASE
55117	LED 2X2 SPEC-SELECT™ CENTER BASKET TROFFER/25-30-35W/35-50K/DIMM/ISO/120-277V - DLC®	2

ACCESSORIES

54895	PIR DAYLIGHT HARVESTING MICROWAVE SENSOR FOR ISO TROFFER/10-14DC	200
-------	--	-----

REPLACEMENT PARTS

SIF30-I0750-SS	REPLACEMENT LED DRIVER	1
----------------	------------------------	---

ADDITIONAL INFORMATION:

- Default settings; 25W, 5000K.
- The color temperature and wattage may be adjusted by two slide switches integrated into the driver. For additional information refer to the install instructions.

